

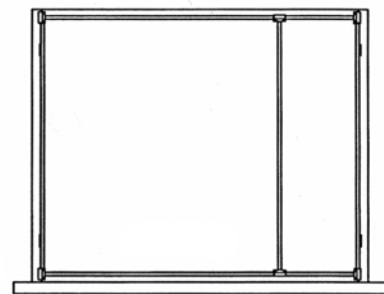
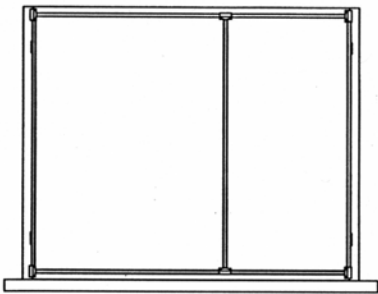
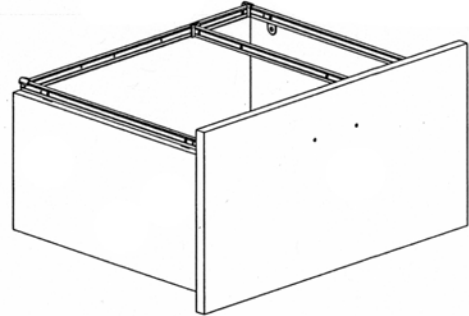
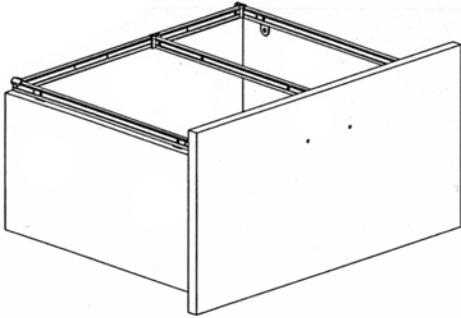
Architectural Casework

FILE RAIL APPLICATION - Standard 16"*, 21"*, & 24"* Drawer Units

This visual configuration is true for all drawer units wider than 16" that get file rails.

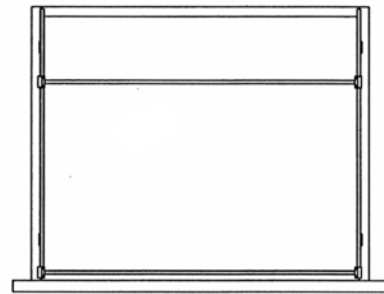
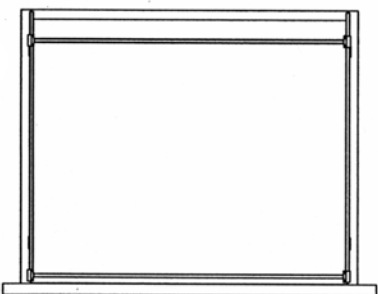
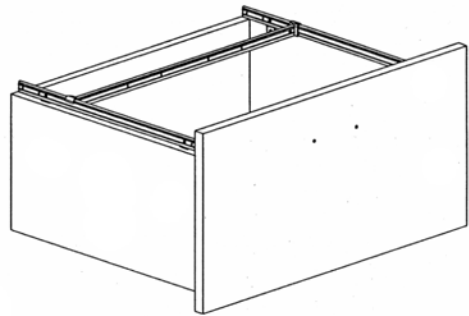
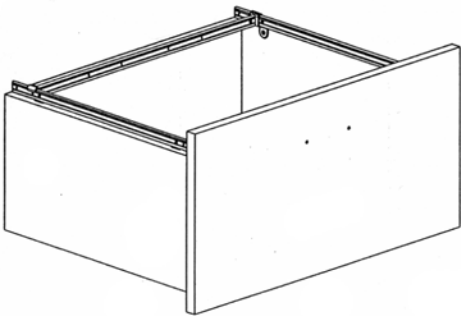
*16" wide units do not receive the additional front-to-back rail.

(15" & 18" wide drawer units do not include file rails)



Letter (Front-to-Back)

Legal (Front-to-Back)

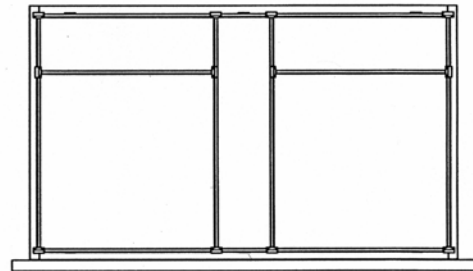
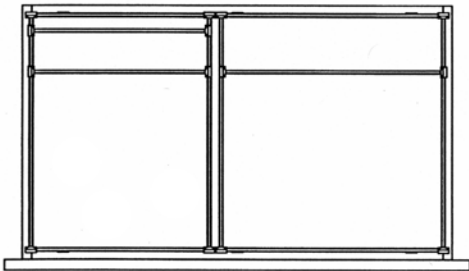
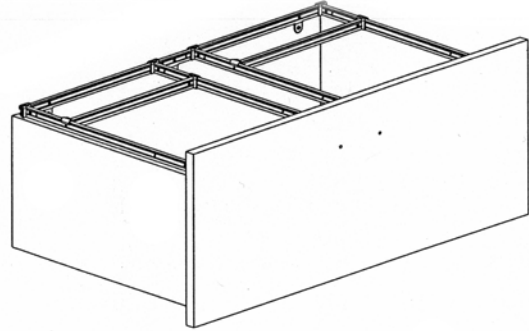
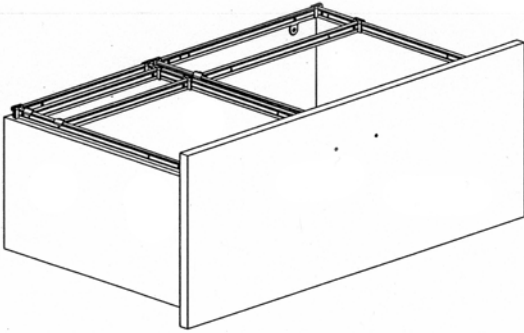


Legal (Side-to-Side)

Letter (Side-to-Side)

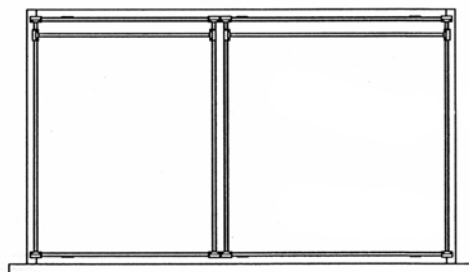
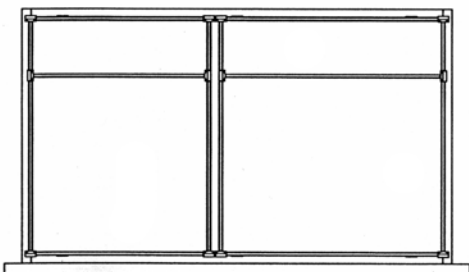
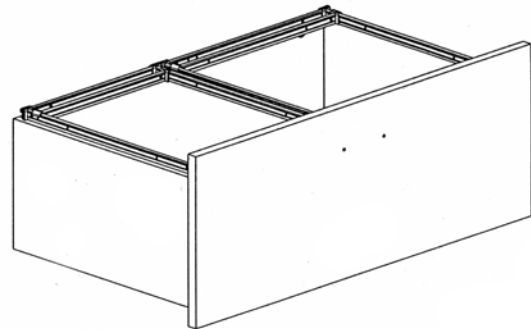
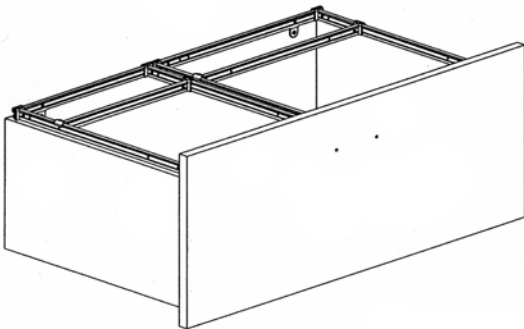
FILE RAIL APPLICATION - Standard 32" Drawer Units

This visual configuration is true for all lateral file drawer units. File rail configurations are not available for 24" deep lateral files.



As delivered from the factory

Letter (Front-to-Back or Side-to-Side)



Letter & Legal (Front-to-Back)
Letter (Side-to-Side)

Letter & Legal (Front-to-Back)
Legal (Side-to-Side)